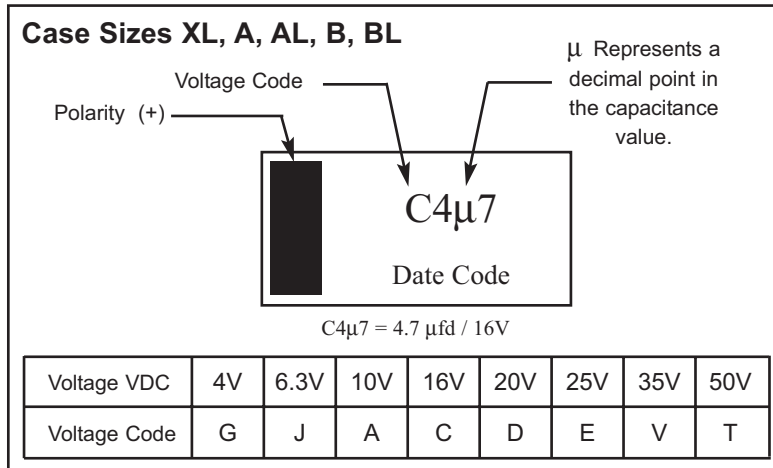


Marking

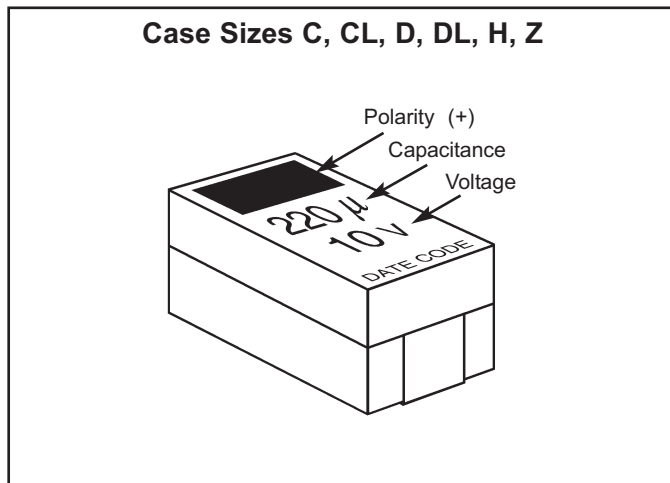
Nemco surface mount tantalum capacitors are marked by laser on the top surface. The positive (+) end of the body has a videcon readable bar marking for improved polarity identification. Space permitting, with the exception of MCT miniature surface mount series, marking shall consist of:

- Capacitance in μfd
- Voltage or voltage code (+85°C Vr)
- Polarity Bar (+)
- Date Coding (Not available on TB series, XL case size of the PCT and LSR series and MCT miniature surface mount series.)

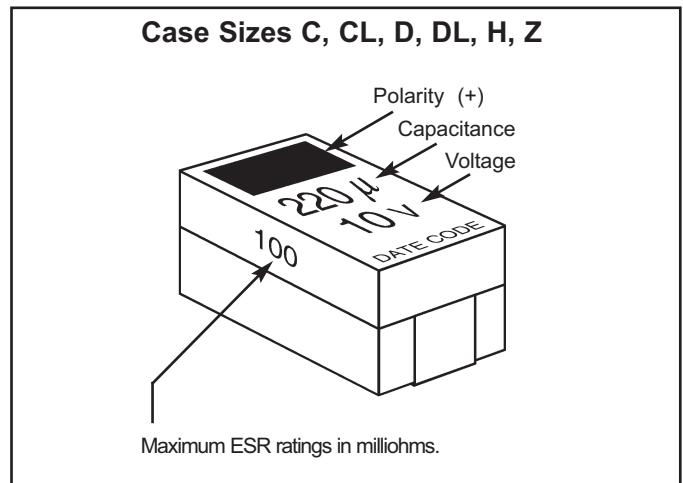
PCT / LSR Series



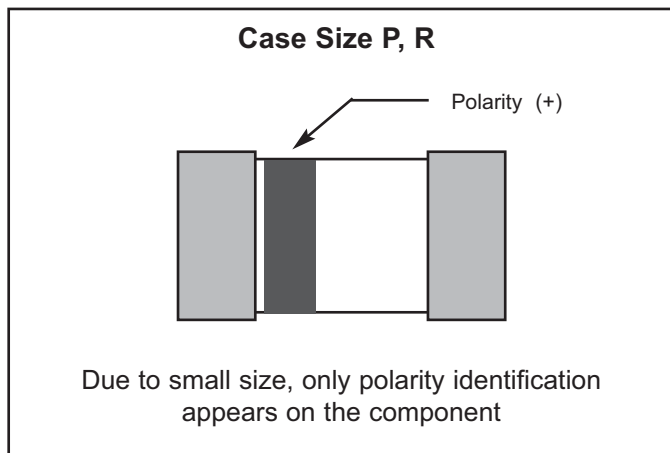
PCT Series



LSR Series



MCT Series



TB Series

